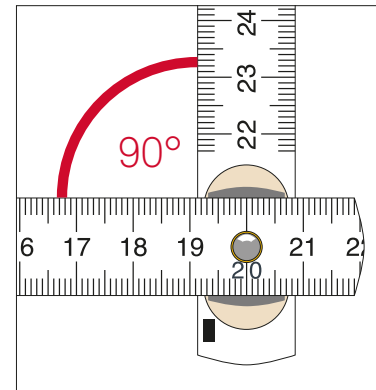
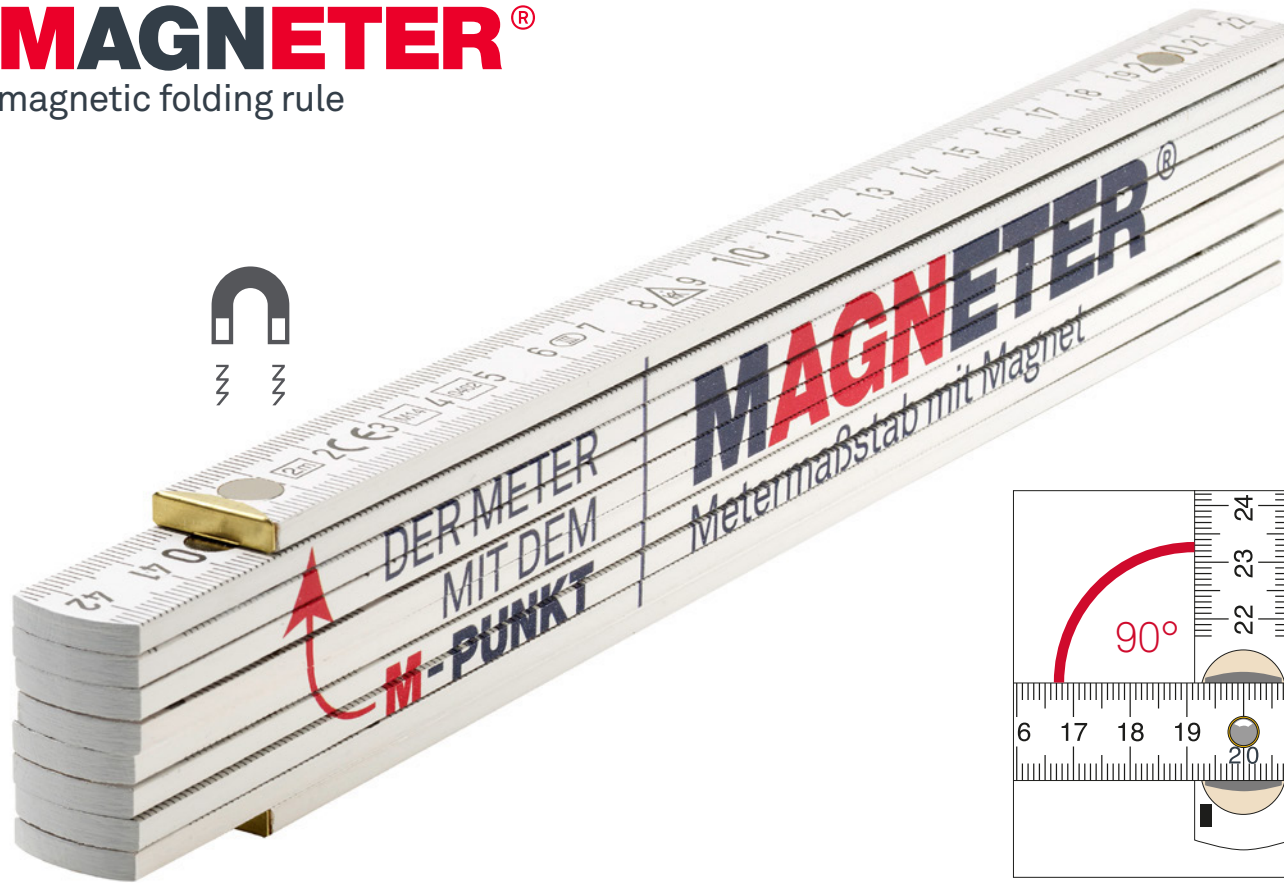





Art.-No. 6130MaWi

MAGNETER®

magnetic folding rule



High-quality for craftsman

-  included magnet on the first link
-  made from FSC certified wood
-  EU accuracy class III

Properties

- folding rule made from beech wood (FSC)
- 2 m, 10 links
- 3,3 x 17 mm link strength
- inner steel springs, hardened spring steel
- positioning locks at 90°
- angle scale on 3rd and 4th link

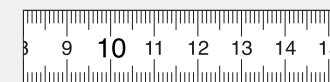
Colors

- white

Printing sizes and charts

High side

Digital / foto printing (4c)	248 x 35 mm
pad printing (1-4 colors)	180 x 26,5 mm



Duplex chart
not printable

wooden folding rule made from selected beech wood. With inner hardened spring steel joints for longlasting functionality.

Millimeter scale on both sides over the entire length.

High-quality coating: waer resistant and resistant to dirt an moisture.

When folded with a virtually closed surface for optimum advertising opportunities.

»Ruler function« with continuous marking line in unfolded state .

 With this promotional item you will stand out from the crowd and your advertising message will surely stick to the target group